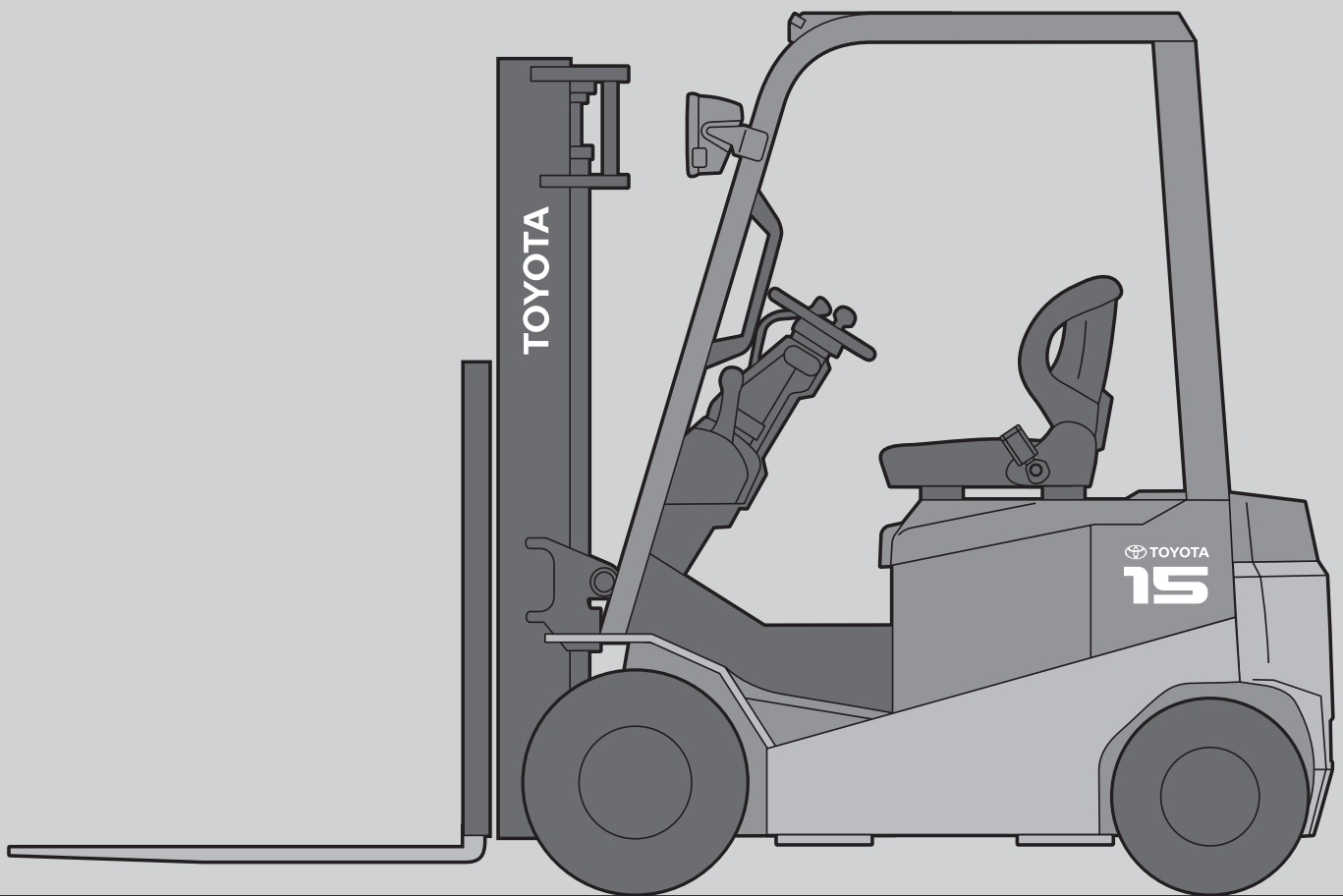


ELECTRIC POWERED FORKLIFT

8FBN 1.5 to 3.0 Ton
Series

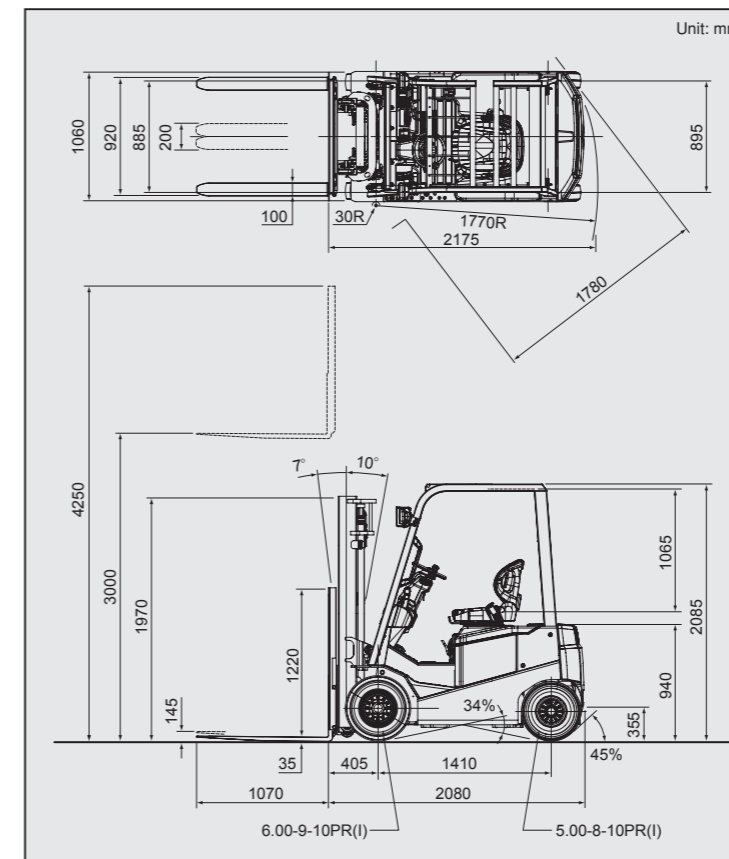


MAIN VEHICLE SPECIFICATIONS

Characteristics		TOYOTA			
1	Manufacturer		TOYOTA		
2	Model		8FBN15		
3	Load Capacity	kg	1500		
4	Load Center	mm	500		
5	Power Type		Battery		
6	Operator Position		Rider Seated		
7	Tire Type	Front/Rear	Pneumatic		
8	Wheels (x = driven)	Front/Rear	2x/2		
9	Maximum Fork Height (MFH)	mm	3000		
10	Free Lift	mm	145		
13	Fork Size	T x W x L	35x100x1070		
	Fork Spread (Outside)	MAX./MIN.	920/200		
14	Tilt Range	FWD/BWD	7/10		
15	Length to Fork Face	mm	2080		
16	Overall Width	mm	1060		
17	Mast Lowered Height	mm	1970		
18	Mast Extended Height	mm	4250		
19	Overhead Guard Height	mm	2085		
21	Turning Radius (Outside)	mm	1770		
22	Load Distance (Centerline of front axle to front face of forks)	mm	405		
	Rear Overhang	mm	265		
23	Basic Right Angle Stacking Aisle Width (Add load length and clearance)	mm	2175		
24	Speeds	Travel, Max. (FWD/RVS)	Full Load	km/h	14.5
			No Load	km/h	17.0
		Lifting	Full Load	mm/sec	420
			No Load	mm/sec	650
		Lowering	Full Load	mm/sec	500
			No Load	mm/sec	550
27	Drawbar Pull*	Full Load/No Load	3-Minute Ratings	N	7900/7200
			5-Minute Ratings	N	7900/7200
			60-Minute Ratings	N	2800/2800
29	Gradeability*	Full Load/No Load	3-Minute Ratings	% (tanθ)	19.0/25.0
			5-Minute Ratings	% (tanθ)	19.0/25.0
			30-Minute Ratings	% (tanθ)	12.0/19.0
32	Total Weight	Without Battery	kg	2210	
33	Weight Distribution (With Min. Battery)	Full Load	Front	kg	3900
			Rear	kg	470
34		No Load	Front	kg	1440
			Rear	kg	1430
35	Tires	Number	Front/Rear	2/2	
36		Size	Front	6.00-9-10PR (I)	
37			Rear	5.00-8-10PR (I)	
38	Wheelbase	mm	1410		
39	Tread	Front	mm	885	
		Rear	mm	895	
	Backrest Height	mm	1220		
	Overhead Guard Clearance	mm	1065		
	Counterweight Height	mm	940		
	Drawbar Pin Center Height	mm	355		
	Step Height/Floor Height	mm	465/615		
40	Underclearance (Full load)	Min. <Mast>	mm	80	
41		Center of Wheelbase	mm	115	
	Grade Clearance	Frame/Counterweight	% (tanθ)	34/45	
42	Brake	Service (Foot)		Hydraulic	
43		Parking		Hand	
45	Battery	Voltage/Capacity (5-hour ratings)	Min.	V/AH	48/390
			High	V/AH	48/565
46		Weight (Min. Capacity Type)	kg	660	
47	Electric Motors	Drive	kW	7.6	
48		Load Handling/Power Steering	kW	9.5	
54	Control Type	Drive		AC inverter	
		Load Handling/Power Steering		AC inverter	
57	Operating Pressure	For Attachments	Mpa	11.8	

NOTE: * Computed values.

DIMENSIONAL DRAWINGS



UNDERCLEARANCE mm

Mast (Full Load)	80
Drive Axle (Full Load)	90
Steer Axle (No Load)	120
Center of Wheelbase (Full Load)	115
Counterweight (No Load)	125

RATED CAPACITIES

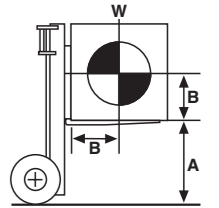
Unit: kg (W)

V Mast (PN or PSC)

A (mm)	3000	3500	4000	4500	5000
500	1500	1500	1500	1450	1350
600	1350	1350	1350	1300	1210
700	1220	1220	1220	1180	1100
800	1120	1120	1120	1080	1010
900	1040	1040	1040	1000	930
1000	960	960	960	930	860
1100	900	900	900	870	810
1200	840	840	840	810	760

FV Mast (PN or PSC)

A (mm)	3000	3500
500	1500	1500
600	1350	1350
700	1220	1220
800	1120	1120
900	1040	1040
1000	960	960
1100	900	900
1200	840	840



A: Max. Fork Height
B: Load Center
W: Capacity

FSV Mast (PN or PSC)

A (mm)	4300	4500	4700	5000	5500	6000
500	1400	1350	1350	1200	1100	900
600	1260	1210	1210	1080	990	810
700	1150	1100	1100	980	900	730
800	1050	1010	1010	900	830	670
900	970	940	940	830	760	620
1000	900	870	870	770	710	580
1100	840	810	810	720	660	540
1200	790	760	760	680	620	510

SPECIAL TREAD

Front Tire (PN or PSC)	Single PN	Single PN	Single PSC	Single PSC	Single PSC
Front Tire Size	6.50-10-10PR (I)	21 x 8-9-10PR (I)	6.00-9	6.50-10	21 x 8-9
Overall Width mm	1065	1125	1060	1060	1125
Tread, Front mm	885	920	885	885	920

MAST SPECIFICATIONS & RATED CAPACITIES

Mast Type	Maximum Fork Height	Overall Height		Free Lift		Single Tire				
		*Lowered	Extended		Without Load Backrest	With Standard Load Backrest	Tilt Range		Load Capacity at 500 mm LC	
			Without Load Backrest	With Standard Load Backrest			FWD	BWD	Pneumatic Tire	Pneumatic-Shaped Cushion Tire
Wide Visible Mast (V)	3000	1970	3635	4250	145	145	7	10	1500	1500
	3500	2220	4135	4750	145	145	7	10	1500	1500
	4000	2570	4635	5250	145	145	7	10	1500	1500
	4500	2820	5135	5750	145	145	7	5	1450	1450
Wide Visible Full-Free Lift Two-Stage Mast (FV)	3000	1970	3600	4250	*1405	*755	7	10	1500	1500
	3500	2220	4100	4750	*1655	*1005	7	10	1500	1500
	4300	1970	4870	5550	*1435	*755	7	5	1400	1400
	4500	2040	5070	5750	*1505	*825	7	5	1350	1350
Wide Visible Full-Free Lift Three-Stage Mast (FSV)	4700	2120	5270	5950	*1585	*905	7	5	1350	1350
	5000	2220	5570	6250	*1685	*1005	7	5	1200	1200
	5500	2380	6070	6750	*1845	*1165	7	5	1100	1100
	6000	2570	6570	7250	*2035	*1355	7	5	900	900

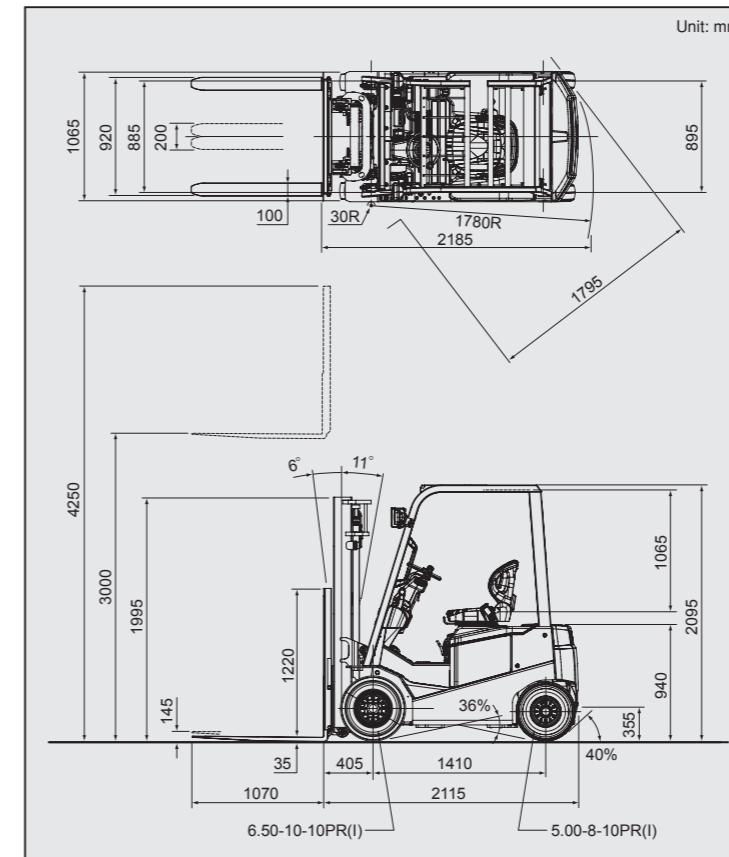
NOTE: Standard load backrest height is 1220 mm.
* With optional tire size; 6.50-10-10PR (I), plus 25 mm.

MAIN VEHICLE SPECIFICATIONS

Characteristics		TOYOTA			
1	Manufacturer		TOYOTA		
2	Model		8FBN18		
3	Load Capacity	kg	1750		
4	Load Center	mm	500		
5	Power Type		Battery		
6	Operator Position		Rider Seated		
7	Tire Type	Front/Rear	Pneumatic		
8	Wheels (x = driven)	Front/Rear	2x/2		
9	Maximum Fork Height (MFH)	mm	3000		
10	Free Lift	mm	145		
13	Fork Size	T x W x L	35x100x1070		
	Fork Spread (Outside)	MAX./MIN.	920/200		
14	Tilt Range	FWD/BWD	6/11		
15	Length to Fork Face	mm	2115		
16	Overall Width	mm	1065		
17	Mast Lowered Height	mm	1995		
18	Mast Extended Height	mm	4250		
19	Overhead Guard Height	mm	2095		
21	Turning Radius (Outside)	mm	1780		
22	Load Distance (Centerline of front axle to front face of forks)	mm	405		
	Rear Overhang	mm	300		
23	Basic Right Angle Stacking Aisle Width (Add load length and clearance)	mm	2185		
24	Speeds	Travel, Max. (FWD/RVS)	Full Load	km/h	15.0
			No Load	km/h	17.5
		Lifting	Full Load	mm/sec	370
			No Load	mm/sec	650
26	Lowering	Full Load	mm/sec	500	
		No Load	mm/sec	550	
27	Drawbar Pull*	Full Load/No Load	3-Minute Ratings	N	7100/7300
			5-Minute Ratings	N	7100/7300
			60-Minute Ratings	N	2500/2700
29	Gradeability*	Full Load/No Load	3-Minute Ratings	% (tanθ)	15.5/23.0
			5-Minute Ratings	% (tanθ)	15.5/23.0
			30-Minute Ratings	% (tanθ)	10.0/16.5
32	Total Weight	Without Battery	kg	2390	
33	Weight Distribution (With Min. Battery)	Full Load	Front	kg	4300
			Rear	kg	500
34	No Load	Front	kg	1420	
		Rear	kg	1630	
35	Tires	Number	Front/Rear	2/2	
36	Size	Front		6.50-10-10PR (I)	
37		Rear		5.00-8-10PR (I)	
38	Wheelbase	mm		1410	
39	Tread	Front	mm	885	
		Rear	mm	895	
	Backrest Height	mm		1220	
	Overhead Guard Clearance	mm		1065	
	Counterweight Height	mm		940	
	Drawbar Pin Center Height	mm		355	
	Step Height/Floor Height	mm		490/640	
40	Underclearance (Full load)	Min. <Mast>	mm	105	
41	Grade Clearance	Center of Wheelbase	mm	125	
		Frame/Counterweight	% (tanθ)	36/40	
42	Brake	Service (Foot)		Hydraulic	
43		Parking		Hand	
45	Battery	Voltage/Capacity (5-hour ratings)	Min.	V/AH	48/390
46		Weight (Min. Capacity Type)	High	V/AH	48/565
47	Electric Motors	Drive		kW	7.6
48		Load Handling/Power Steering			kW
54	Control Type	Drive			AC inverter
		Load Handling/Power Steering			
57	Operating Pressure	For Attachments	Mpa		11.8

NOTE: * Computed values.

DIMENSIONAL DRAWINGS



UNDERCLEARANCE mm

Mast (Full Load)	105
Drive Axle (Full Load)	115
Steer Axle (No Load)	120
Center of Wheelbase (Full Load)	125
Counterweight (No Load)	125

RATED CAPACITIES

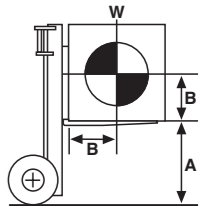
Unit: kg (W)

V Mast (PN or PSC)

A (mm)	3000	3500	4000	4500	5000
500	1750	1750	1650	1550	1200
600	1570	1570	1480	1390	1080
700	1430	1430	1350	1260	980
800	1310	1310	1230	1160	900
900	1210	1210	1140	1070	830
1000	1120	1120	1060	990	770
1100	1050	1050	990	930	720
1200	980	980	930	870	670

FV Mast (PN or PSC)

A (mm)	3000	3500
500	1750	1750
600	1570	1570
700	1430	1430
800	1310	1310
900	1210	1210
1000	1120	1120
1100	1050	1050
1200	980	980



A: Max. Fork Height
B: Load Center
W: Capacity

FSV Mast (PN or PSC)

A (mm)	4300	4500	4700	5000	5500	6000
500	1550	1500	1500	1250	900	750
600	1390	1350	1350	1120	810	670
700	1270	1230	1230	1020	730	610
800	1170	1130	1130	940	670	560
900	1080	1040	1040	870	620	520
1000	1000	970	970	810	580	480
1100	930	900	900	750	540	450
1200	880	850	850	710	510	420

SPECIAL TREAD

Front Tire (PN or PSC)	Single PN	Single PSC	Single PSC
Front Tire Size	21 x 8-9-10PR (I)	6.50-10	21 x 8-9
Overall Width	mm	1125	1125
Tread, Front	mm	920	920

MAST SPECIFICATIONS & RATED CAPACITIES

Mast Type	Maximum Fork Height	Overall Height		Free Lift		Single Tire				
		*Lowered	Extended		Without Load Backrest	With Standard Load Backrest	Tilt Range		Load Capacity at 500 mm LC	
			Without Load Backrest	With Standard Load Backrest			FWD	BWD	Pneumatic Tire	Pneumatic-Shaped Cushion Tire
mm	mm	mm	mm	mm	mm	deg	deg	kg	kg	
Wide Visible Mast (V)	3000	1995	3635	4250	145	145	6	11	1750	1750
	3500	2245	4135	4750	145	145	6	11	1750	1750
	4000	2595	4635	5250	145	145	6	11	1650	1650
	4500	2845	5135	5750	145	145	6	6	1550	1550
5000	3095	5635	6250	145	145	6	6	1200	1200	
Wide Visible Full-Free Lift Two-Stage Mast (FV)	3000	1995	3600	4250	*1430	*780	6	11	1750	1750
	3500	2245	4100	4750	*1680	*1030	6	11	1750	1750
Wide Visible Full-Free Lift Three-Stage Mast (FSV)	4300	1995	4870	5550	*1460	*780	6	6	1550	1550
	4500	2065	5070	5750	*1530	*850	6	6	1500	1500
	4700	2145	5270	5950	*1610	*930	6	6	1500	1500
	5000	2245	5570	6250	*1710	*1030	6	6	1250	1250
	5500	2405	6070	6750	*1870	*1190	6	6	900	900
6000	2595	6570	7250	*2060	*1380	6	6	750	750	

NOTE: Standard load backrest height is 1220 mm.

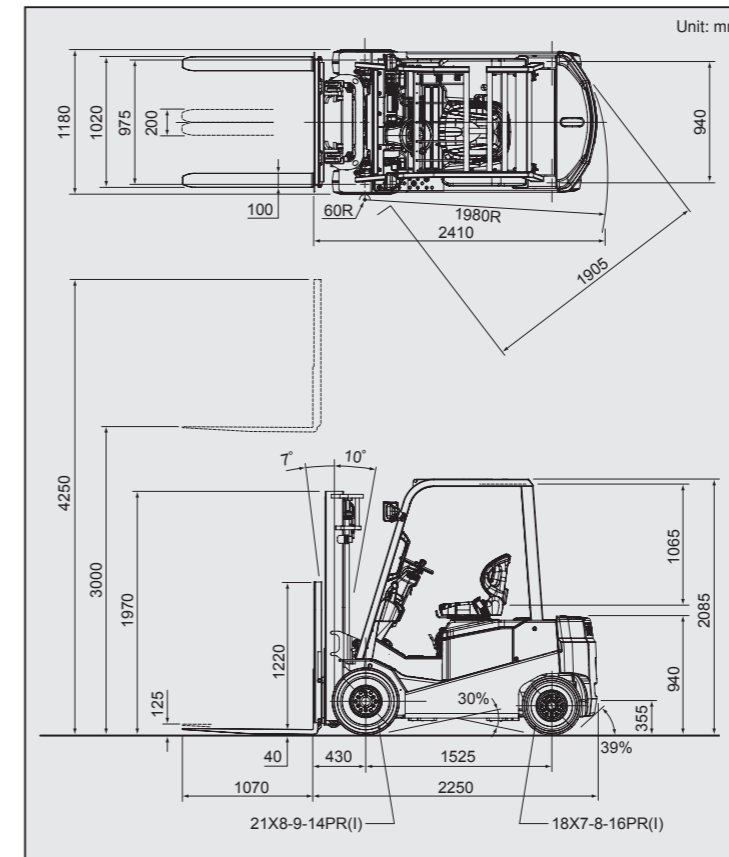
* With optional tire size; 21x8-9-10PR (I), minus 25 mm.

MAIN VEHICLE SPECIFICATIONS

Characteristics		TOYOTA			
1	Manufacturer		TOYOTA		
2	Model		8FBN20		
3	Load Capacity	kg	2000		
4	Load Center	mm	500		
5	Power Type		Battery		
6	Operator Position		Rider Seated		
7	Tire Type	Front/Rear	Pneumatic		
8	Wheels (x = driven)	Front/Rear	2x/2		
9	Maximum Fork Height (MFH)	mm	3000		
10	Free Lift	mm	125		
13	Fork Size	T x W x L	40x100x1070		
	Fork Spread (Outside)	MAX./MIN.	1020/200		
14	Tilt Range	FWD/BWD	7/10		
15	Length to Fork Face	mm	2250		
16	Overall Width	mm	1180		
17	Mast Lowered Height	mm	1970		
18	Mast Extended Height	mm	4250		
19	Overhead Guard Height	mm	2085		
21	Turning Radius (Outside)	mm	1980		
22	Load Distance (Centerline of front axle to front face of forks)	mm	430		
	Rear Overhang	mm	295		
23	Basic Right Angle Stacking Aisle Width (Add load length and clearance)	mm	2410		
24	Speeds	Travel, Max. (FWD/RVS)	Full Load	km/h	14.5
			No Load	km/h	16.5
		Lifting	Full Load	mm/sec	360
			No Load	mm/sec	600
26	Lowering	Full Load	mm/sec	500	
		No Load	mm/sec	500	
27	Drawbar Pull*	Full Load/No Load	3-Minute Ratings	N	10200/8400
			5-Minute Ratings	N	10200/8400
			60-Minute Ratings	N	4700/4900
29	Gradeability*	Full Load/No Load	3-Minute Ratings	% (tanθ)	19.0/22.0
			5-Minute Ratings	% (tanθ)	19.0/22.0
			30-Minute Ratings	% (tanθ)	15.0/22.0
32	Total Weight	Without Battery	kg	2710	
33	Weight Distribution (With Min. Battery)	Full Load	Front	kg	4850
			Rear	kg	580
34	No Load	Front	kg	1630	
		Rear	kg	1800	
35	Tires	Number	Front/Rear	2/2	
36	Size	Front		21x8-9-14PR (I)	
37		Rear		18x7-8-16PR (I)	
38	Wheelbase	mm	1525		
39	Tread	Front	mm	975	
		Rear	mm	940	
	Backrest Height	mm	1220		
	Overhead Guard Clearance	mm	1065		
	Counterweight Height	mm	940		
	Drawbar Pin Center Height	mm	355		
	Step Height/Floor Height	mm	465/615		
40	Underclearance (Full load)	Min. <Mast>	mm	80	
41	Grade Clearance	Center of Wheelbase	mm	110	
		Frame/Counterweight	% (tanθ)	30/39	
42	Brake	Service (Foot)		Hydraulic	
43		Parking		Hand	
45	Battery	Voltage/Capacity (5-hour ratings)	Min.	V/AH	48/470
46			Weight (Min. Capacity Type)	High	V/AH
47	Electric Motors	Drive		kW	10.7
48			Load Handling/Power Steering		kW
54	Control Type	Drive			AC inverter
			Load Handling/Power Steering		
57	Operating Pressure	For Attachments	Mpa	14.8	

NOTE: * Computed values.

DIMENSIONAL DRAWINGS



UNDERCLEARANCE mm

Mast (Full Load)	80
Drive Axle (Full Load)	90
Steer Axle (No Load)	115
Center of Wheelbase (Full Load)	110
Counterweight (No Load)	120

RATED CAPACITIES

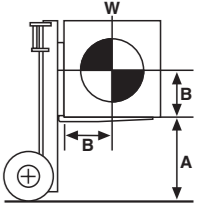
Unit: kg (W)

V Mast (PN or PSC)

A (mm)	3000	3500	4000	4500	5000
500	2000	2000	2000	1900	1650
600	1800	1800	1800	1710	1490
700	1640	1640	1640	1560	1350
800	1510	1510	1510	1430	1240
900	1390	1390	1390	1320	1150
1000	1300	1300	1300	1230	1070
1100	1210	1210	1210	1150	1000
1200	1140	1140	1140	1080	940

FV Mast (PN or PSC)

A (mm)	3000	3500	4000
500	2000	2000	2000
600	1800	1800	1800
700	1640	1640	1640
800	1510	1510	1510
900	1390	1390	1390
1000	1300	1300	1300
1100	1210	1210	1210
1200	1140	1140	1140



A: Max. Fork Height
B: Load Center
W: Capacity

FSV Mast (PN or PSC)

A (mm)	4300	4500	4700	5000	5500	6000
500	1850	1800	1800	1550	1200	900
600	1670	1630	1630	1400	1080	810
700	1530	1480	1480	1280	990	740
800	1400	1370	1370	1180	910	680
900	1300	1270	1270	1090	840	630
1000	1210	1180	1180	1010	780	590
1100	1130	1100	1100	950	730	550
1200	1060	1040	1040	890	690	520

SPECIAL TREAD

Front Tire (PN or PSC)	Single PSC	Single PSC
Front Tire Size	21 x 8-9	23 x 9-10
Overall Width mm	1180	1180
Tread Front mm	980	990

MAST SPECIFICATIONS & RATED CAPACITIES

Mast Type	Maximum Fork Height	Overall Height		Free Lift		Single Tire				
		*Lowered	Extended		Without Load Backrest	With Standard Load Backrest	Tilt Range		Load Capacity at 500 mm LC	
			Without Load Backrest	With Standard Load Backrest			FWD	BWD	Pneumatic Tire	Pneumatic-Shaped Cushion Tire
mm	mm	mm	mm	mm	mm	deg	deg	kg	kg	
Wide Visible Mast (V)	3000	1970	3705	4250	125	125	7	10	2000	2000
	3500	2220	4205	4750	125	125	7	10	2000	2000
	4000	2570	4705	5250	125	125	7	10	2000	2000
	4500	2820	5205	5750	125	125	7	5	1900	1900
5000	3070	5705	6250	125	125	7	5	1650	1650	
Wide Visible Full-Free Lift Two-Stage Mast (FV)	3000	1970	3640	4250	*1365	*760	7	10	2000	2000
	3500	2220	4140	4750	*1615	*1010	7	10	2000	2000
	4000	2570	4640	5250	*1965	*1360	7	10	2000	2000
Wide Visible Full-Free Lift Three-Stage Mast (FSV)	4300	1970	4980	5550	*1325	*760	7	5	1850	1850
	4500	2040	5180	5750	*1395	*830	7	5	1800	1800
	4700	2120	5380	5950	*1475	*910	7	5	1800	1800
	5000	2220	5680	6250	*1575	*1010	7	5	1550	1550
	5500	2380	6180	6750	*1735	*1170	7	5	1200	1200
6000	2570	6680	7250	*1925	*1360	7	5	900	900	

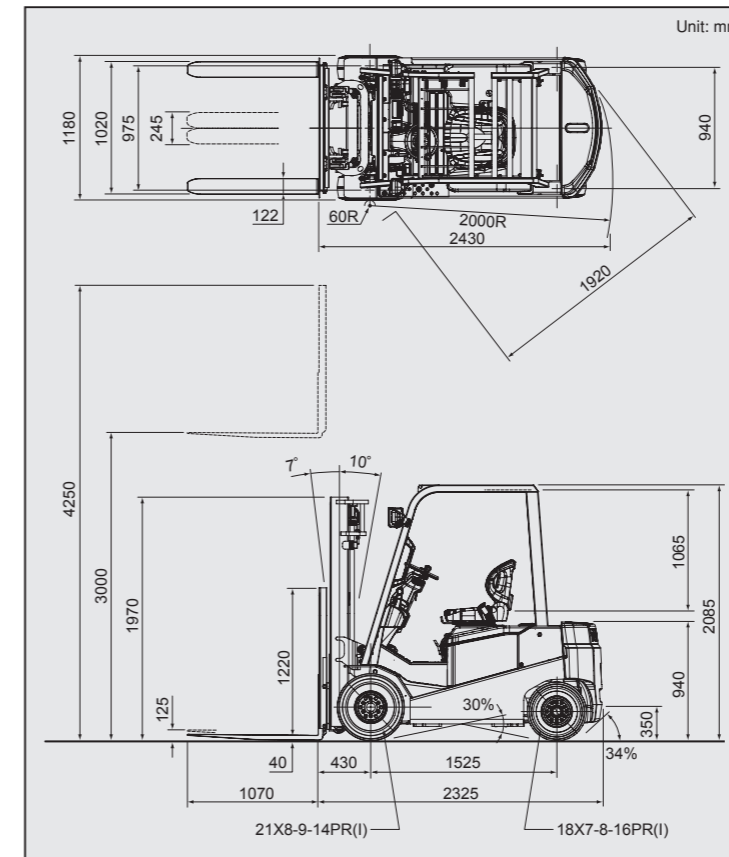
NOTE: Standard load backrest height is 1220 mm.
* With optional tire size; 23x9-10-16PR (I), plus 30 mm.

MAIN VEHICLE SPECIFICATIONS

Characteristics		TOYOTA				
1	Manufacturer			1		
2	Model		8FBN25	2		
3	Load Capacity	kg	2500	3		
4	Load Center	mm	500	4		
5	Power Type		Battery	5		
6	Operator Position		Rider Seated	6		
7	Tire Type	Front/Rear	Pneumatic	7		
8	Wheels (x = driven)	Front/Rear	2x/2	8		
9	Maximum Fork Height (MFH)	mm	3000	9		
10	Free Lift	mm	125	10		
13	Fork Size	T x W x L	40x122x1070	13		
	Fork Spread (Outside)	MAX./MIN.	1020/245			
14	Tilt Range	FWD/BWD	7/10	14		
15	Length to Fork Face	mm	2325	15		
16	Overall Width	mm	1180	16		
17	Mast Lowered Height	mm	1970	17		
18	Mast Extended Height	mm	4250	18		
19	Overhead Guard Height	mm	2085	19		
21	Turning Radius (Outside)	mm	2000	21		
22	Load Distance (Centerline of front axle to front face of forks)	mm	430	22		
	Rear Overhang	mm	370			
23	Basic Right Angle Stacking Aisle Width (Add load length and clearance)	mm	2430	23		
24	Speeds	Travel, Max. (FWD/RVS)	Full Load	km/h	14.0	24
			No Load	km/h	16.0	
		Lifting	Full Load	mm/sec	340	
			No Load	mm/sec	600	
		Lowering	Full Load	mm/sec	500	
			No Load	mm/sec	500	
27	Drawbar Pull*	Full Load/No Load	3-Minute Ratings	N	10000/8900	27
			5-Minute Ratings	N	10000/8900	
			60-Minute Ratings	N	4500/4800	
29	Gradeability*	Full Load/No Load	3-Minute Ratings	% (tanθ)	16.0/20.0	29
			5-Minute Ratings	% (tanθ)	16.0/20.0	
			30-Minute Ratings	% (tanθ)	12.0/20.0	
32	Total Weight	Without Battery		kg	3080	32
				kg	5680	
33	Weight Distribution (With Min. Battery)	Full Load	Front	kg	730	33
			Rear	kg	1650	
34		No Load	Front	kg	2260	34
			Rear	kg		
35	Tires	Number	Front/Rear		2/2	35
36		Size	Front		21x8-9-14PR (I)	36
37			Rear		18x7-8-16PR (I)	37
38	Wheelbase	mm			1525	38
39	Tread	Front	mm		975	39
		Rear	mm		940	
	Backrest Height	mm			1220	
	Overhead Guard Clearance	mm			1065	
	Counterweight Height	mm			940	
	Drawbar Pin Center Height	mm			350	
	Step Height/Floor Height	mm			465/615	
40	Underclearance (Full load)	Min. <Mast>	mm		75	40
41		Center of Wheelbase	mm		110	41
42	Grade Clearance	Frame/Counterweight	% (tanθ)		30/34	42
43	Brake	Service (Foot)			Hydraulic	43
		Parking			Hand	
45	Battery	Voltage/Capacity (5-hour ratings)	Min.	V/AH	48/565	45
			High	V/AH	48/725	
46		Weight (Min. Capacity Type)	kg		830	46
47	Electric Motors	Drive	kW		10.7	47
48		Load Handling/Power Steering	kW		12.2	48
54	Control Type	Drive			AC inverter	54
		Load Handling/Power Steering			AC inverter	
57	Operating Pressure	For Attachments	Mpa		15.7	57

NOTE: * Computed values.

DIMENSIONAL DRAWINGS



UNDERCLEARANCE mm

Mast (Full Load)	75
Drive Axle (Full Load)	85
Steer Axle (No Load)	115
Center of Wheelbase (Full Load)	110
Counterweight (No Load)	120

RATED CAPACITIES

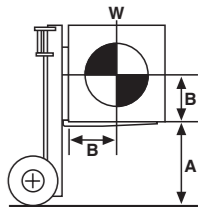
Unit: kg (W)

V Mast (PN or PSC)

A (mm)	3000	3500	4000	4500	5000
500	2500	2500	2500	2300	1800
600	2250	2250	2250	2070	1620
700	2050	2050	2050	1890	1480
800	1890	1890	1890	1730	1360
900	1740	1740	1740	1600	1250
1000	1620	1620	1620	1490	1170
1100	1520	1520	1520	1390	1090
1200	1420	1420	1420	1310	1020

FV Mast (PN or PSC)

A (mm)	3000	3500	4000
500	2500	2500	2500
600	2250	2250	2250
700	2050	2050	2050
800	1890	1890	1890
900	1740	1740	1740
1000	1620	1620	1620
1100	1520	1520	1520
1200	1420	1420	1420



A: Max. Fork Height
B: Load Center
W: Capacity

FSV Mast (PN or PSC)

A (mm)	4300	4500	4700	5000	5500	6000
500	2300	2050	2050	1650	1250	1000
600	2080	1850	1850	1490	1130	900
700	1900	1690	1690	1360	1030	820
800	1750	1560	1560	1250	950	760
900	1620	1440	1440	1160	880	700
1000	1510	1340	1340	1080	820	650
1100	1410	1260	1260	1010	760	610
1200	1320	1180	1180	950	720	570

SPECIAL TREAD

Front Tire (PN or PSC)	Single PSC	Single PSC
Front Tire Size	21 x 8-9	23 x 9-10
Overall Width mm	1180	1220
Tread, Front mm	980	990

MAST SPECIFICATIONS & RATED CAPACITIES

Mast Type	Maximum Fork Height	Overall Height		Free Lift		Single Tire				
		*Lowered	Extended		Without Load Backrest	With Standard Load Backrest	Tilt Range		Load Capacity at 500 mm LC	
			Without Load Backrest	With Standard Load Backrest			FWD	BWD	Pneumatic Tire	Pneumatic-Shaped Cushion Tire
mm	mm	mm	mm	mm	mm	deg	deg	kg	kg	
Wide Visible Mast (V)	3000	1970	3705	4250	125	125	7	10	2500	2500
	3500	2220	4205	4750	125	125	7	10	2500	2500
	4000	2570	4705	5250	125	125	7	5	2500	2500
	4500	2820	5205	5750	125	125	7	5	2300	2300
5000	3070	5705	6250	125	125	7	5	1800	1800	
Wide Visible Full-Free Lift Two-Stage Mast (FV)	3000	1970	3640	4250	*1365	*760	7	10	2500	2500
	3500	2220	4140	4750	*1615	*1010	7	10	2500	2500
	4000	2570	4640	5250	*1965	*1360	7	5	2500	2500
Wide Visible Full-Free Lift Three-Stage Mast (FSV)	4300	1970	4980	5550	*1325	*760	7	5	2300	2300
	4500	2040	5180	5750	*1395	*830	7	5	2050	2050
	4700	2120	5380	5950	*1475	*910	7	5	2050	2050
	5000	2220	5680	6250	*1575	*1010	7	5	1650	1650
	5500	2380	6180	6750	*1735	*1170	7	5	1250	1250
6000	2570	6680	7250	*1925	*1360	7	5	1000	1000	

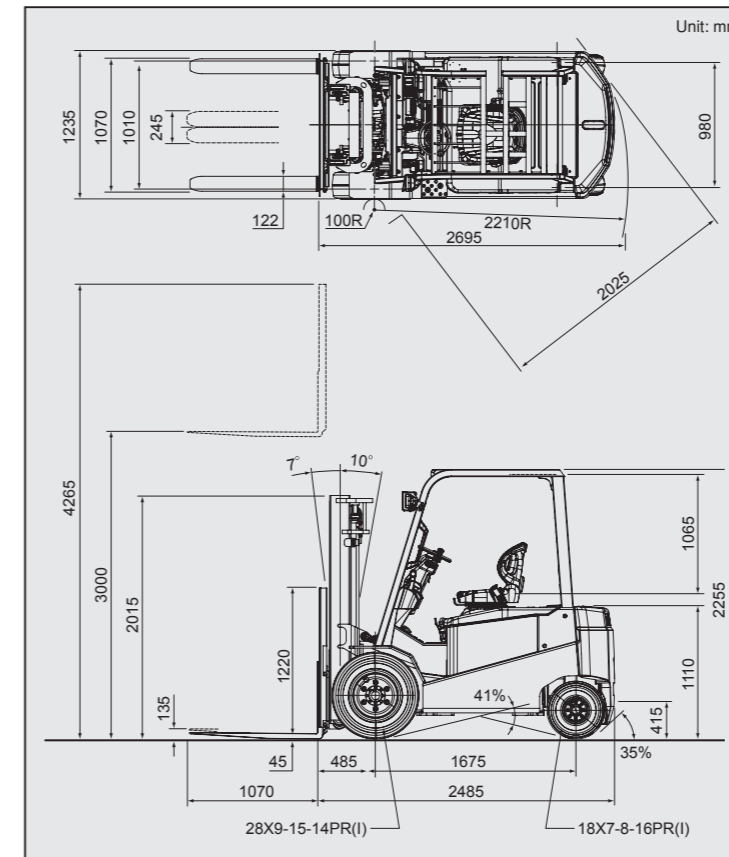
NOTE: Standard load backrest height is 1220 mm.
* With optional tire size; 23x9-10-16PR (I), plus 30 mm.

MAIN VEHICLE SPECIFICATIONS

Characteristics		TOYOTA				
1	Manufacturer			1		
2	Model		8FBN30	2		
3	Load Capacity	kg	3000	3		
4	Load Center	mm	500	4		
5	Power Type		Battery	5		
6	Operator Position		Rider Seated	6		
7	Tire Type	Front/Rear	Pneumatic	7		
8	Wheels (x = driven)	Front/Rear	2x/2	8		
9	Maximum Fork Height (MFH)	mm	3000	9		
10	Free Lift	mm	135	10		
13	Fork Size	T x W x L	45x122x1070	13		
	Fork Spread (Outside)	MAX./MIN.	1070/245			
14	Tilt Range	FWD/BWD	7/10	14		
15	Length to Fork Face	mm	2485	15		
16	Overall Width	mm	1235	16		
17	Mast Lowered Height	mm	2015	17		
18	Mast Extended Height	mm	4265	18		
19	Overhead Guard Height	mm	2255	19		
21	Turning Radius (Outside)	mm	2210	21		
22	Load Distance (Centerline of front axle to front face of forks)	mm	485	22		
	Rear Overhang	mm	325			
23	Basic Right Angle Stacking Aisle Width (Add load length and clearance)	mm	2695	23		
24	Speeds	Travel, Max. (FWD/RVS)	Full Load	km/h	14.0	24
			No Load	km/h	15.0	
		Lifting	Full Load	mm/sec	320	25
			No Load	mm/sec	550	
26	Lowering	Full Load	mm/sec	500	26	
		No Load	mm/sec	500		
27	Drawbar Pull*	Full Load/No Load	3-Minute Ratings	N	12200/11500	27
			5-Minute Ratings	N	12200/11500	
			60-Minute Ratings	N	5300/5600	
29	Gradeability*	Full Load/No Load	3-Minute Ratings	% (tanθ)	16.0/22.0	29
			5-Minute Ratings	% (tanθ)	16.0/22.0	
			30-Minute Ratings	% (tanθ)	11.0/19.0	
32	Total Weight	Without Battery	kg	3710	32	
33	Weight Distribution (With Min. Battery)	Full Load	Front	kg	6910	33
			Rear	kg	810	
34	No Load	Front	kg	2150	34	
		Rear	kg	2570		
35	Tires	Number	Front/Rear	2/2	35	
36	Size	Front		28x9-15-14PR (I)	36	
37		Rear			18x7-8-16PR (I)	37
38	Wheelbase	mm		1675	38	
39	Tread	Front	mm	1010	39	
		Rear	mm	980		
	Backrest Height	mm		1220		
	Overhead Guard Clearance	mm		1065		
	Counterweight Height	mm		1110		
	Drawbar Pin Center Height	mm		415		
	Step Height/Floor Height	mm		530/780		
40	Underclearance (Full load)	Min. <Mast>	mm	125	40	
41	Grade Clearance	Center of Wheelbase	mm	165	41	
		Frame/Counterweight	% (tanθ)	41/35		
42	Brake	Service (Foot)		Hydraulic	42	
43		Parking		Hand	43	
45	Battery	Voltage/Capacity (5-hour ratings)	Min.	V/AH	80/370	45
			High		V/AH	
46		Weight (Min. Capacity Type)	kg	1010	46	
47	Electric Motors	Drive	kW	11.9	47	
		Load Handling/Power Steering	kW	14.4		48
54	Control Type	Drive		AC inverter	54	
		Load Handling/Power Steering				AC inverter
57	Operating Pressure	For Attachments	Mpa	15.7	57	

NOTE: * Computed values.

DIMENSIONAL DRAWINGS



UNDERCLEARANCE mm

Mast (Full Load)	125
Drive Axle (Full Load)	160
Steer Axle (No Load)	115
Center of Wheelbase (Full Load)	165
Counterweight (No Load)	120

RATED CAPACITIES

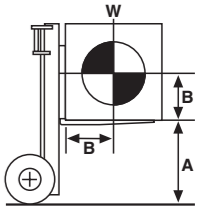
Unit: kg (W)

V Mast (PN or PSC)

A (mm)	3000	3500	4000	4500	5000
500	3000	3000	3000	2850	2350
600	2720	2720	2720	2580	2130
700	2490	2490	2490	2360	1950
800	2290	2290	2290	2180	1800
900	2130	2130	2130	2020	1670
1000	1980	1980	1980	1890	1550
1100	1860	1860	1860	1770	1460
1200	1750	1750	1750	1660	1370

FV Mast (PN or PSC)

A (mm)	3000	3500
500	3000	3000
600	2720	2720
700	2490	2490
800	2290	2290
900	2130	2130
1000	1980	1980
1100	1860	1860
1200	1750	1750



A: Max. Fork Height
B: Load Center
W: Capacity

FSV Mast (PN or PSC)

A (mm)	4300	4500	4700	5000	5500	6000
500	3000	2800	2800	2400	1900	1450
600	2720	2540	2540	2180	1720	1310
700	2490	2330	2330	1990	1580	1200
800	2300	2150	2150	1840	1450	1110
900	2130	1990	1990	1710	1350	1030
1000	1990	1860	1860	1590	1260	960
1100	1870	1740	1740	1490	1180	900
1200	1760	1640	1640	1400	1110	850

SPECIAL TREAD

Front Tire (PN or PSC)	Single PSC
Front Tire Size	28 x 9-15
Overall Width mm	1240
Tread, Front mm	1010

MAST SPECIFICATIONS & RATED CAPACITIES

Mast Type	Maximum Fork Height	Overall Height		Free Lift		Single Tire				
		Lowered	Extended		Without Load Backrest	With Standard Load Backrest	Tilt Range		Load Capacity at 500 mm LC	
			Without Load Backrest	With Standard Load Backrest			FWD	BWD	Pneumatic Tire	Pneumatic-Shaped Cushion Tire
	mm	mm	mm	mm	mm	mm	deg	deg	kg	kg
Wide Visible Mast (V)	3000	2015	3765	4265	135	135	7	10	3000	3000
	3500	2265	4265	4765	135	135	7	10	3000	3000
	4000	2615	4765	5265	135	135	7	10	3000	3000
	4500	2865	5265	5765	135	135	7	5	2850	2850
	5000	3115	5765	6265	135	135	7	5	2350	2350
Wide Visible Full-Free Lift Two-Stage Mast (FV)	3000	2015	3660	4265	1400	795	7	10	3000	3000
	3500	2265	4160	4765	1650	1045	7	10	3000	3000
Wide Visible Full-Free Lift Three-Stage Mast (FSV)	4300	2165	4960	5565	1550	945	7	5	3000	3000
	4500	2215	5160	5765	1600	995	7	5	2800	2800
	4700	2265	5360	5965	1650	1045	7	5	2800	2800
	5000	2425	5660	6265	1810	1205	7	5	2400	2400
	5500	2615	6160	6765	2000	1395	7	5	1900	1900
	6000	2865	6660	7265	2250	1645	7	5	1450	1450

NOTE: Standard load backrest height is 1220 mm.

STANDARD EQUIPMENT

8FBN15.18. 20. 25. 30

- **Wide Visible Mast (V) [MFH:3000 mm]**
- **Load backrest (V and FSV masts) [Height: 1220 mm]**
- **Easy-down system (V mast)**
- **Operator Presence Sensing System (OPS)**
- **High-mount rear axle**
- **Display**
(Battery capacity indicator, Power-select function indicator, OPS indicator, Overheat warning, Parking brake warning indicator, Hour meter, Battery overdischarge warning, Battery remaining-charge warning, Parking brake on/off alarm, Return-to-neutral warning, Digital diagnosis)
- **Power select function**
- **Power keep function**
- **Auto power-off function**
- **Anti-rollback**
- **Headlights**
- **ORS seat**
- **Memory tilt steering column**
- **Self-stowing parking brake**
- **Full hydraulic power steering**
- **Battery hood damper**
- **Electric horn**
- **Floor mat**
- **Storage area**
- **Assist grip**
- **Overhead guard**
- **Drawbar pin**
- **Document clip**

Availability and specifications are determined regionally and are subject to change without notice.
Please consult your Toyota representative for details.

All rights reserved by Toyota Industries Corporation.



TOYOTA MATERIAL HANDLING INTERNATIONAL

S.S.8FBN15-30 (E)/E-1301/©/Printed in Japan/No.720720E0/1,500